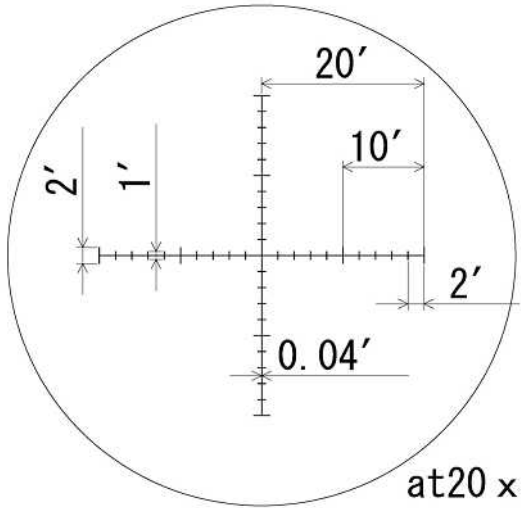


# How to use the March Tactical Reticle-1 (MTR-1)

## Ranging

When the zoom ring is set to 20x (the red 20 is aligned with the white dot index) each horizontal and vertical hash mark equals 2 moa. For example, if a target of a known height of 12" is seen through the scope and appears to match one division: dividing 12" by 2 moa equals 6, which means the distance to the target is 600 yards.

Also, when the zoom ring is set to 40x (the red 40 is aligned with white dot index) each horizontal and vertical hash mark equals 1 moa. Either one of these settings can be useful for ranging the target.



Both the horizontal and vertical directions have a total of 20 divisions each. These hash marks can be used to hold elevation and windage for long distance target engagement. It is important to remember whether 20x or 40x is selected. For benchrest shooters, the hash marks can be used to easily measure a group.

Value of 1 division

	10X	15X	20X	25X	30X	40X	50X	60X
1 Division	4MOA	2.67MOA	2MOA	1.60MOA	1.33MOA	1MOA	0.8MOA	0.67MOA
100yd	4.00 in	2.67 in	2.00 in	1.60 in	1.33 in	1.00 in	0.80 in	0.67 in
200yd	8.00 in	5.33 in	4.00 in	3.20 in	2.67 in	2.00 in	1.60 in	1.33 in
300yd	12.00 in	8.00 in	6.00 in	4.80 in	4.00 in	3.00 in	2.40 in	2.00 in
600yd	24.00 in	16.00 in	12.00 in	9.60 in	8.00 in	6.00 in	4.80 in	4.00 in
1,000yd	40.00 in	26.67 in	20.00 in	16.00 in	13.33 in	10.00 in	8.00 in	6.67 in

**DEON Optical Design Corp.**