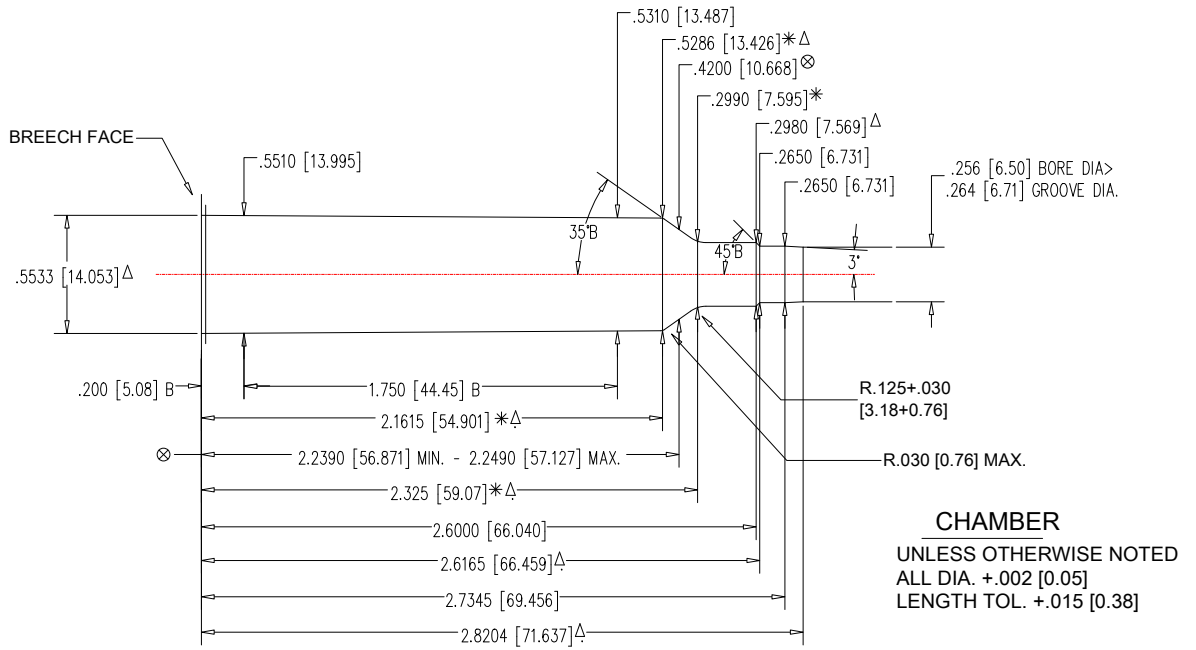
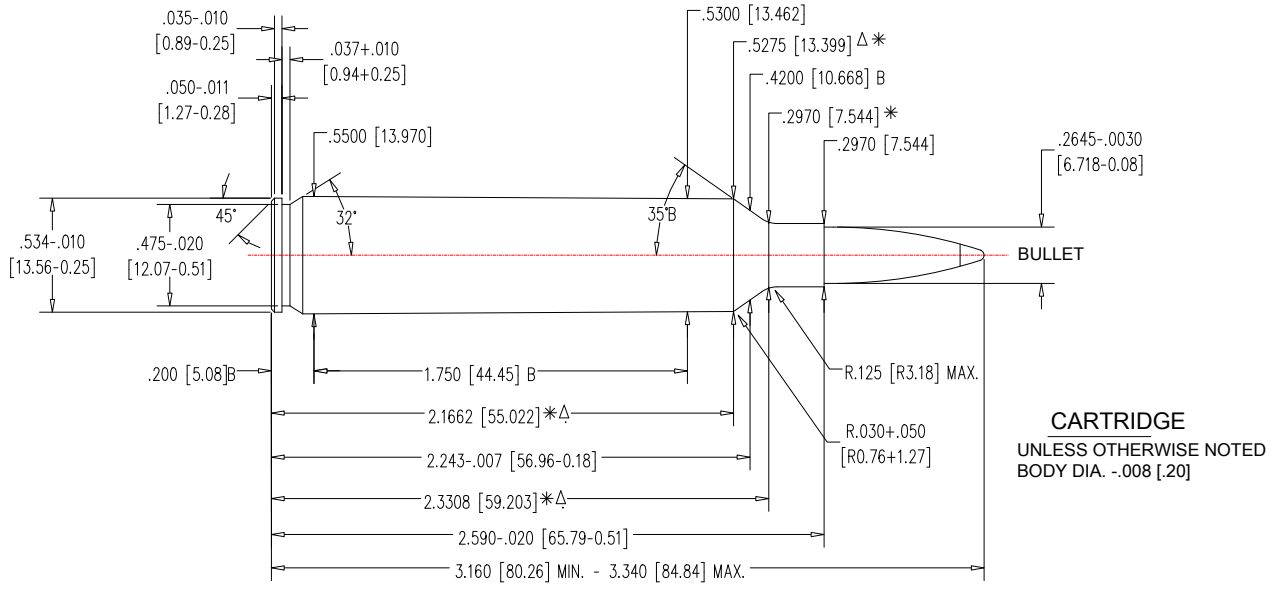


SAAMI New Cartridge and Chamber Acceptance Announcement

26 Nosler

Issued 01/13/2014



NOTE:
 B=BASIC
 [XX.XX]=MILLIMETERS
 ⊗= HEADSPACE DIMENSION
 Δ= REFERENCE DIMENSION
 *DIMENSIONS ARE TO INTERSECTION OF LINES
 ALL CALCULATIONS APPLY AT MAXIMUM MATERIAL CONDITION (MMC)

**MEAN AVERAGE PRESSURE = 65,000 PSI
 PIEZOELECTRIC CONFORMAL TRANSDUCER**

Δ 6 GROOVES
 Δ .095+.002 [2.41+0.05] WIDE
 TWIST: 8[203] R.H. OPTIONAL
 MIN. BORE & GROOVE
 AREA: .0538 SQ. IN [3.4709 mm²]